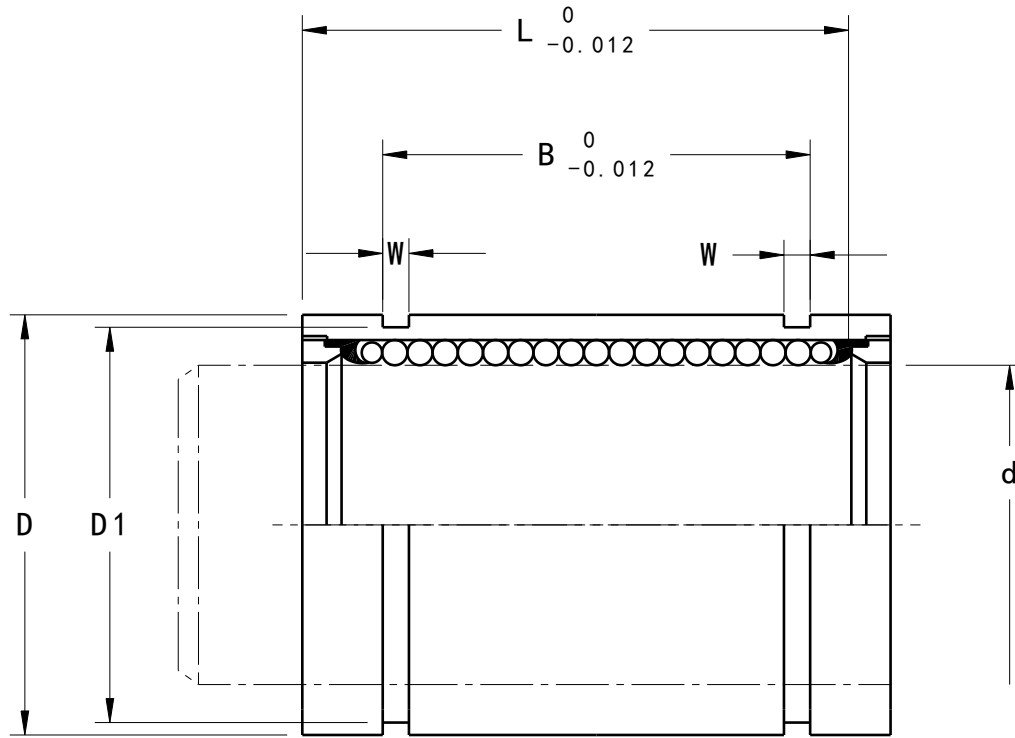
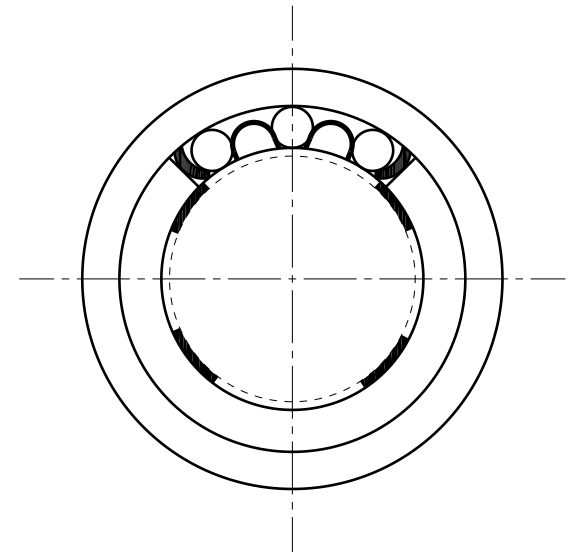


HWLB-016



Section view C-C
Scale: 7:2



Auxiliary view A
Scale: 7:2