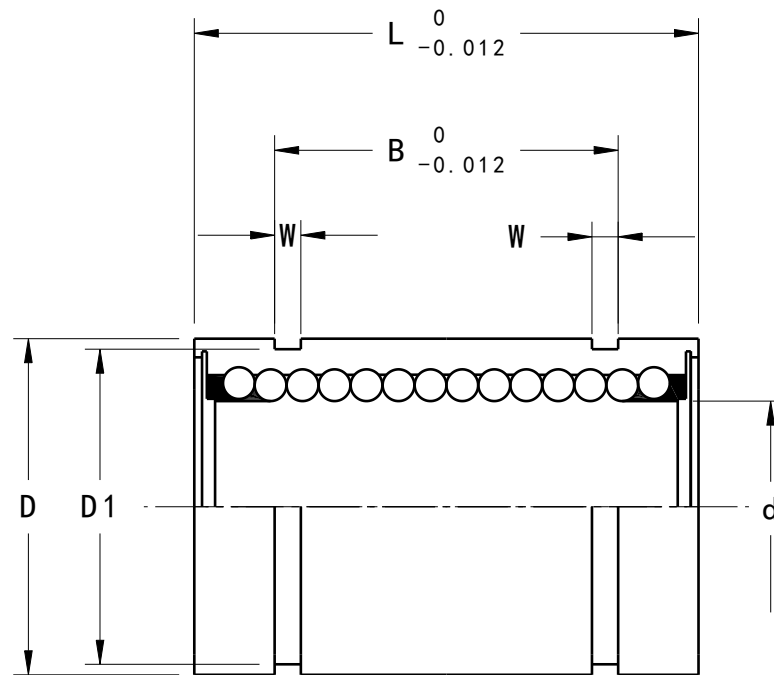
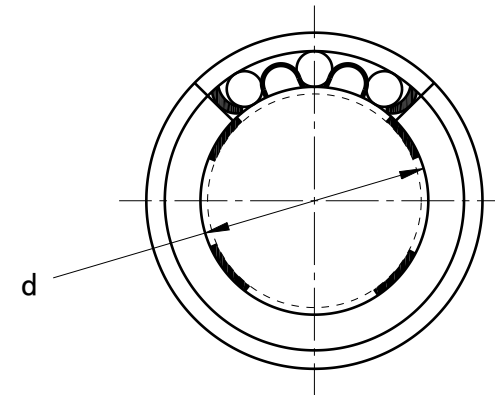


HWLB-015



Section view A-A
Scale: 7:2



Auxiliary view B
Scale: 7:2