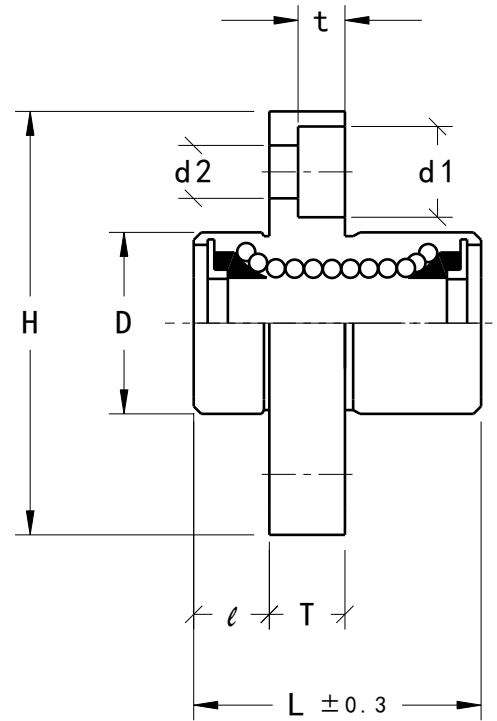
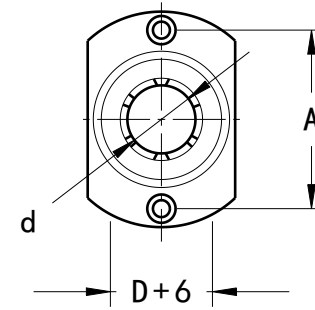
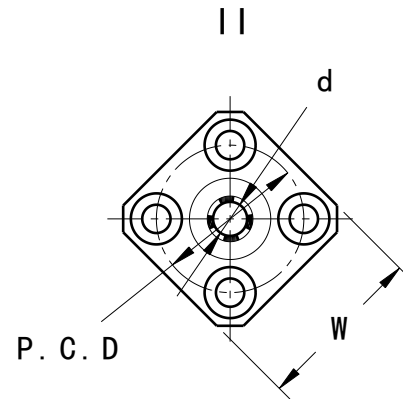
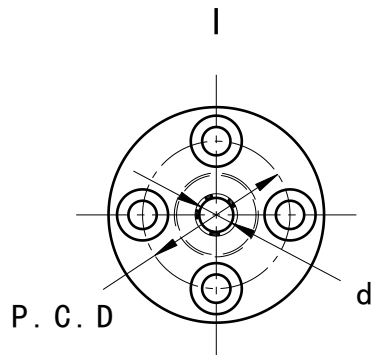


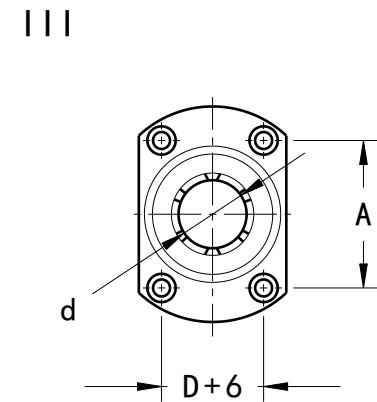
HWLB-012



剖面視圖A-A
縮放: 2:1



$d \sim 13$
2-安裝孔



$d = 16 \sim$
4-安裝孔