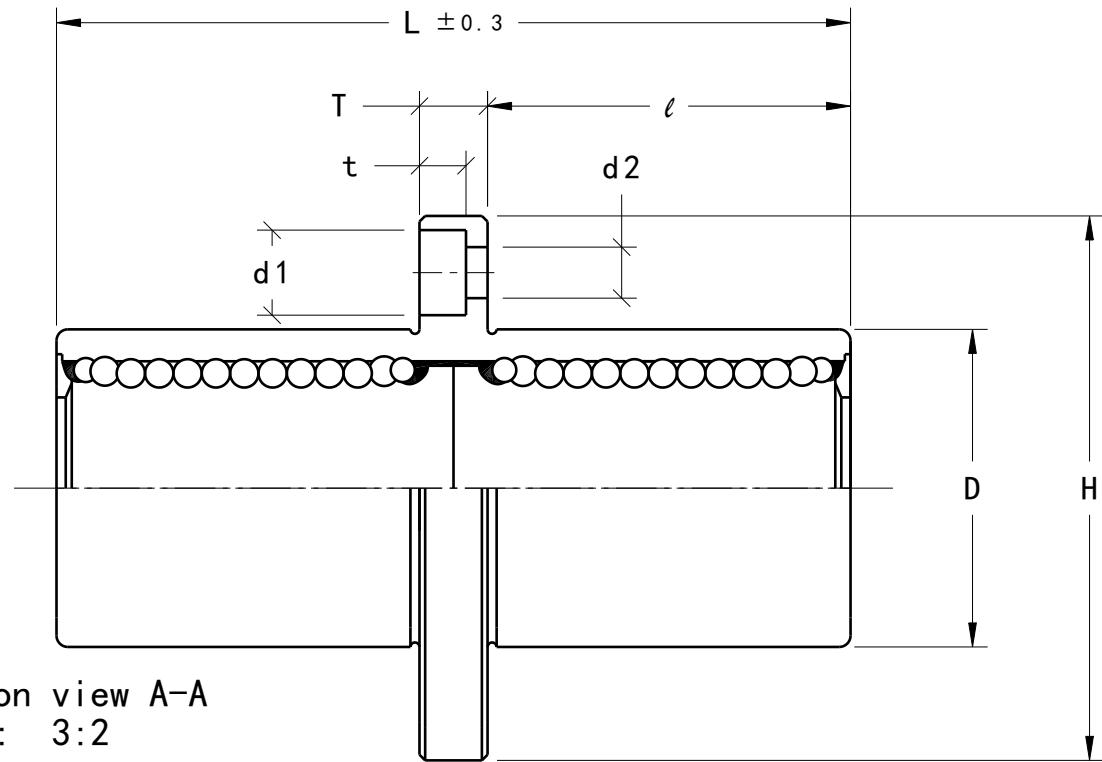
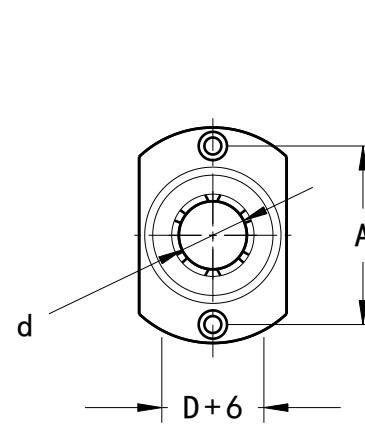
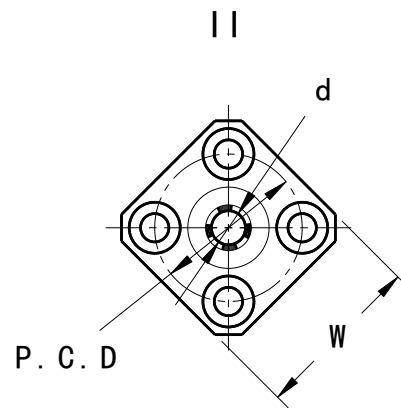
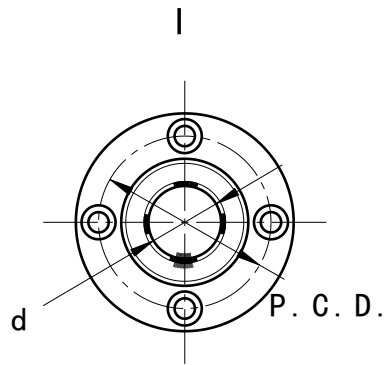


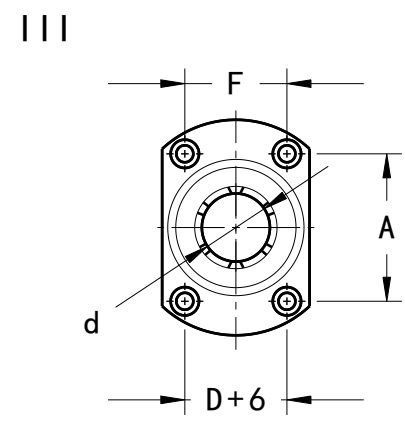
HWLB-011



Section view A-A
Scale: 3:2



$d \sim 13$
2-安装孔



$d \sim 16$
4-安装孔