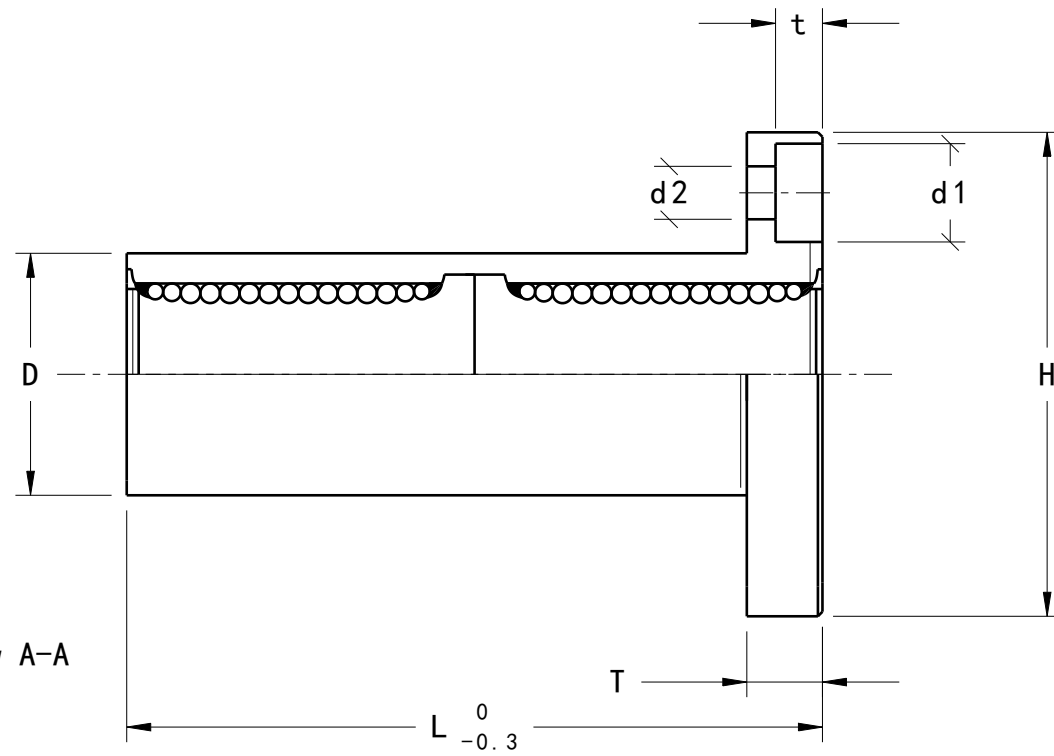


HWLB-010



Section view A-A
Scale: 2:1

