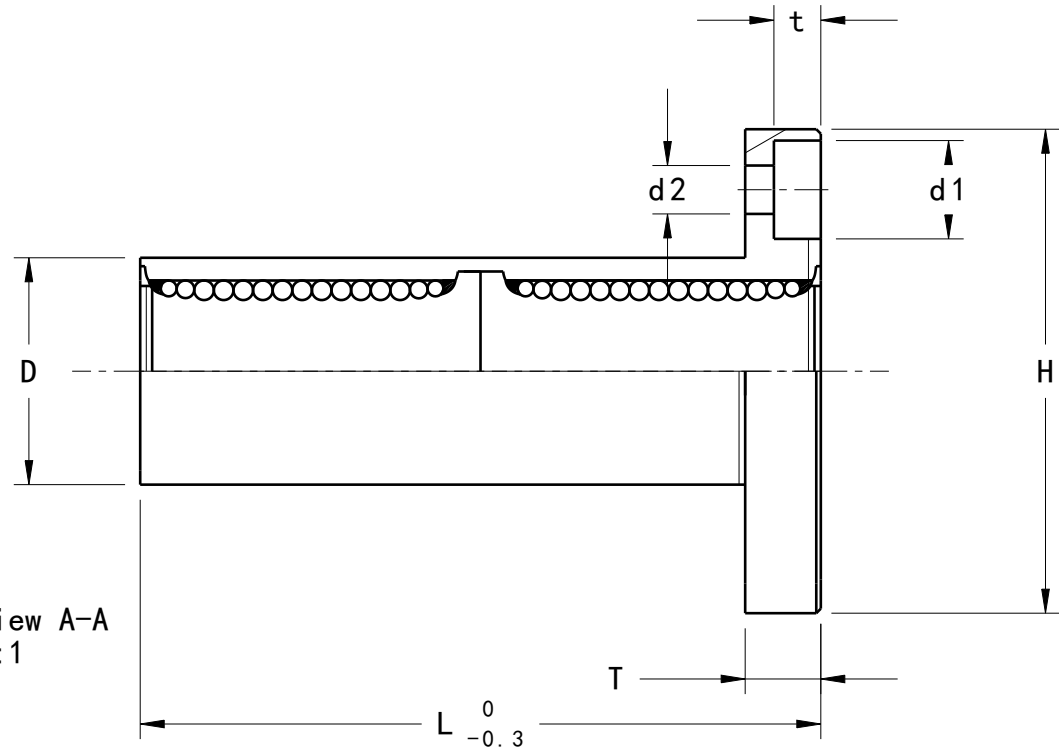
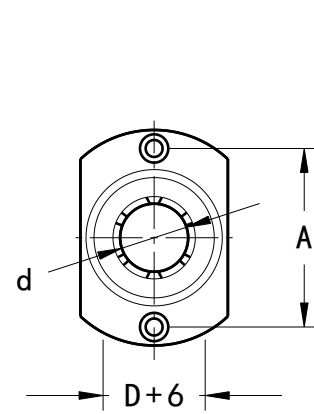
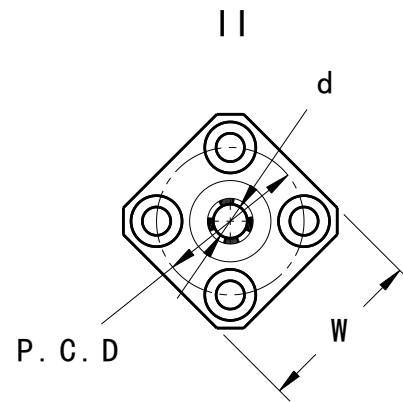
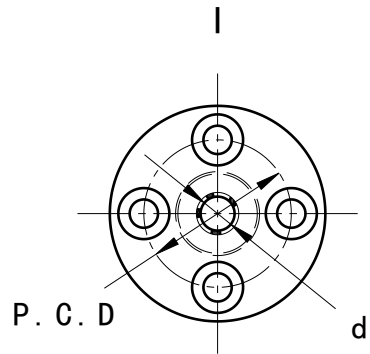


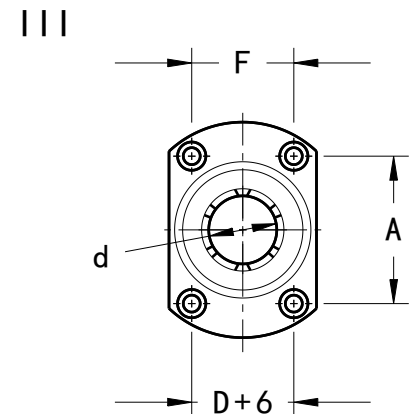
# HWLB-009



Section view A-A  
Scale: 2:1



$d \approx 13$   
2-安装孔



$d = 16 \sim$   
4-安装孔